



HGMini



**RoomHygrostat**

**typeHGMini**  
**typeHGMini-i**

measuring range 30..100%rh

**Application**

The hygrostat type **HG Mini** is an on-off controller to control the relative air humidity. It is used to control air humidifiers and dehumidifiers in offices and computer rooms. Other areas of use are storage of foodstuffs and luxury foods, cooling rooms for fruit and vegetables, greenhouses for gardening use, the textile industry, the paper and printing industry, the film industry and hospitals. The hygrostat HG Mini is suitable for many applications where air humidity has to be controlled or monitored.

The room hygrostat **HG Mini-i** is designed so that the control knob is inside the housing. This makes unauthorized manipulation by third parties more difficult.

**Description of the hygrostat**

The humidity measuring element which is manufactured by Galltec under the name Polyga®, consists of several plastic fabric bands each with 90 individual fibres with a diameter of 0.003 mm each. The fibres are provided with hygroscopic characteristics by a special process. The measuring element absorbs and desorbs moisture. The effect, swelling predominantly in longitudinal direction, is supplied to a microswitch with an extremely low switching travel via a suitable lever system. The measuring element responds rapidly and precisely to the change in air humidity. It is possible to adjust the lever system by setting the setpoint knob so that the microswitch is actuated when the set air humidity is reached.

The hard-shaped measuring element is accommodated inside the housing and must be protected against coarse dust, dirt and water. The sensors are designed for pressureless systems. The installation location must be selected so that condensed water cannot enter the inside of the housing. Any installation position is possible, preferably with ventilation slots at right-angles to wind direction.

**Type Survey**

Type	ItemNo.	switching
HG Mini	42042017	1 selector switch for humidification or dehumidification
HG Mini-i	42042018	1 selector switch for humidification or dehumidification knob inside the housing

**Technical Data**

scale range ..... 30...100%rh  
 measuring accuracy ..... ±3.0%rh  
 range of operation ..... 35...95%rh  
 switching difference (microswitch) ref. to 50%rh ... approx. 4%rh

Microswitch:

breaking capacity, *maximum load*  
 ohmic load "humidify" ..... 2A, 230V AC  
 "dehumidify" ..... 5A, 230V AC  
 inductive load\* cos φ = 0.7 ..... 1.0A, 230V AC  
 breaking capacity, *min* ..... 100mA, 20V DC / AC  
 lifetime ..... 100.000 cycles  
 recommended voltage ..... 24V AC  
 max. voltage ..... 250V AC 50 Hz

**Please observe the notes on voltage.**

optional: microswitch with gold contact:

breaking capacity, *max* ..... 100mA, 48V AC  
 breaking capacity, *min* ..... 1mA, 5V

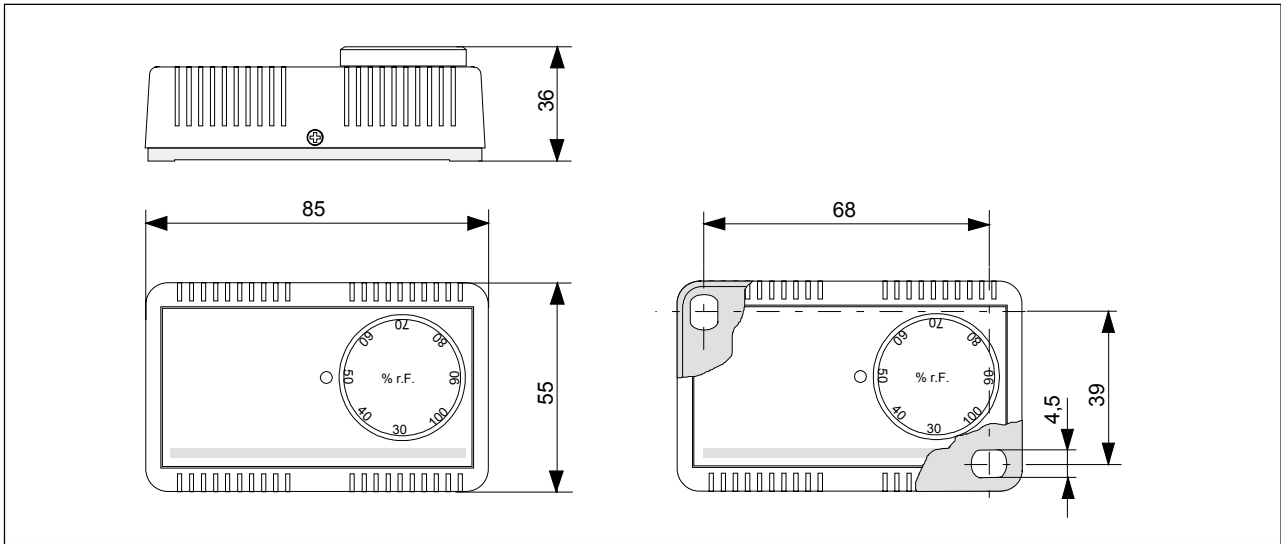
allowable ambient temperature ..... 0...60°C  
 medium temp. coefficient ..... -0.2%/K rel. to 20°C and 50%rh  
 allowable air speed ..... 15m/sec  
 t<sub>50</sub> at v=2m/sec ..... 1.2min  
 fixing ..... slots in housing base  
 mounting position ..... preferably ventilation slots at right-angles to wind direction

contacting ..... connecting terminal in the case  
 electromagnetic compatibility EMC  
 immunity ..... ref. EN 50 082-2  
 emission ..... ref. EN 50 081-2  
 case ..... solid plastic, light grey  
 dimensions ..... 85 x 55 x 36mm  
 protective system ..... IP20  
 measuringelement ..... Polyga®-measuringelement, waterresistent  
 weight ..... ca 0.06 kg

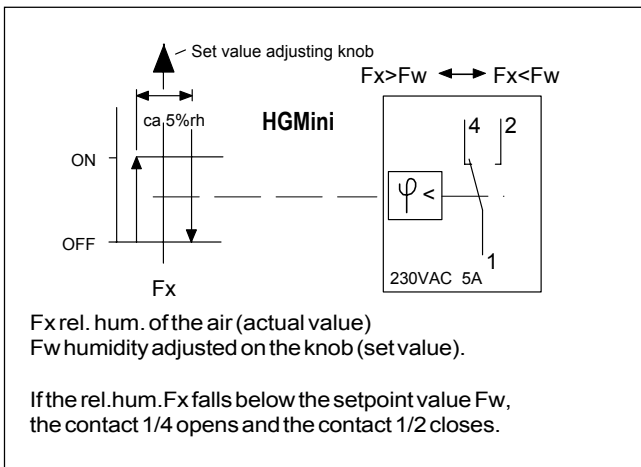
"subject to technical modifications"

\*check for suitability!

This information is based on current knowledge and is intended to provide details of our products and their possible applications. It does not, therefore, act as a guarantee of specific properties of the products described or of their suitability for a particular application. It is our experience that the equipment may be used across a broad spectrum of applications under the most varied conditions and loads. We cannot appraise every individual case. Purchasers and/or users are responsible for checking the equipment for suitability for any particular application. Any existing industrial rights of protection must be observed. The perfect quality of our products is guaranteed under our General Conditions of Sale. Issue : March 2009. Subject to modifications.



**Circuit diagram**



**Mounting**

- > The hygostat must not be exposed to any direct water contact, e.g. splash water when cleaning the air-conditioned room etc.
- > The place of installation must be selected so that a representative air humidity measurement is guaranteed, i.e. the measured humidity values at the place of installation should correspond to those of the room as far as possible.
- > If possible, the hygostat should be located in the air flow.

**Notes on voltage**

*The measurement location of the humidity controller should be selected such that there is no build-up of condensate on or in the device. This applies particularly for operation with a voltage higher than 48V. If the voltage is higher, there is a risk of voltage arcing in the event of water condensation on the microswitch or connecting terminals which might destroy the controller. In the case of voltage below 48V, the humidity controller can be used up to 100%RH.*

**Maintenance**

In case of clean air the measuring element is maintenance-free. But aggressive and solvent containing agents as per their type and concentration may cause faulty measurements. Water repellent protective film forming deposits on the sensor, like resin aerosols, lacquer aerosols, fumigant substances etc. are harmful to almost all types of humidity sensors.

**ATTENTION:** No warranty will be guaranteed when inner parts of the device have been handled.

**Influence of the relative air humidity**

for a temperature fluctuation of  $\pm 1^\circ\text{C}$  referred to various room temperatures.

	10°C	20°C	30°C	50°C
10%rh	$\pm 0,7\%rh$	$\pm 0,6\%rh$	$\pm 0,6\%rh$	$\pm 0,5\%rh$
50%rh	$\pm 3,5\%rh$	$\pm 3,2\%rh$	$\pm 3,0\%rh$	$\pm 2,6\%rh$
90%rh	$\pm 6,3\%rh$	$\pm 5,7\%rh$	$\pm 5,4\%rh$	$\pm 4,6\%rh$

It is thus of extreme importance that the temperature is constant for measurements of the relative air humidity. The air must be homogenous, e.g. possess constant humidity and temperature for the whole duration of the measurement.